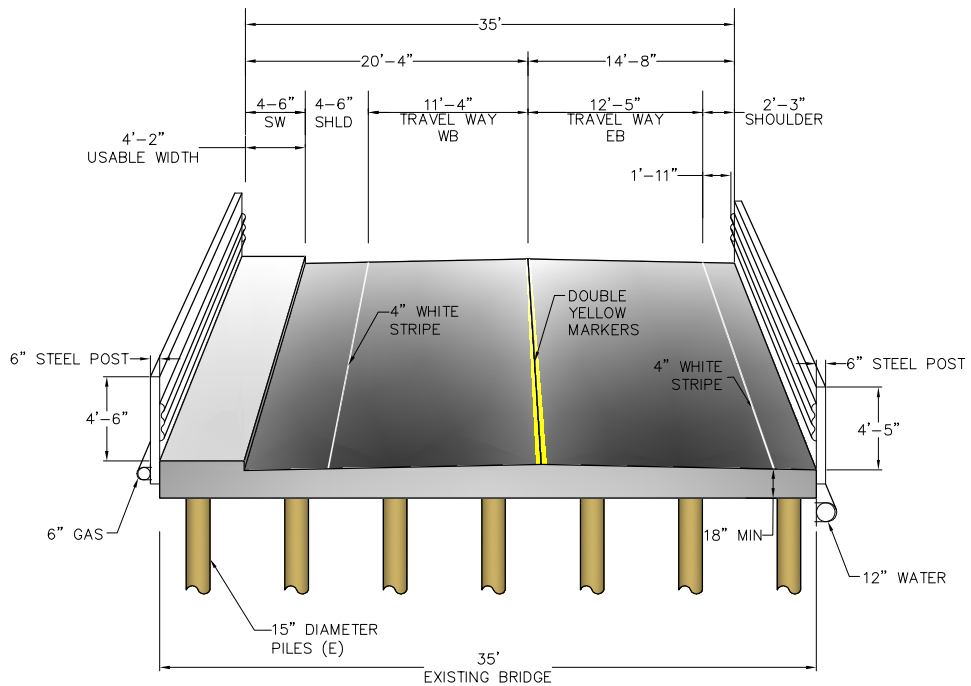
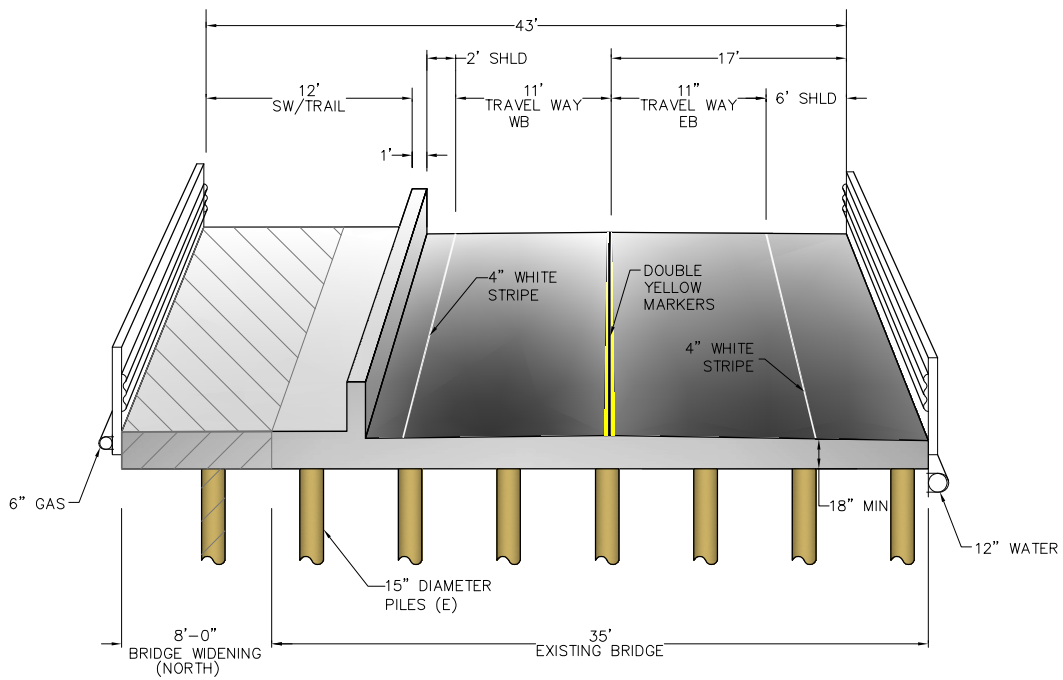


NO BRIDGE WIDENING – MINIMALISTIC APPROACH
 2 x 10' TRAVEL LANES / 10' SIDEWALK/TRAIL (WB) / 2' SHOULDER



EXISTING CONDITIONS
 2 x 11'-12' TRAVEL LANES / 4'-6" SHOULDER (WB) / 4'-6" SIDEWALK (WB)

DARLING WAY BRIDGE



BRIDGE WIDENING (NORTH SIDE ONLY)
 2 x 11' TRAVEL LANES / 6' SHOULDER (EB) / 12' SIDEWALK/TRAIL (WB)

DARLING WAY BRIDGE